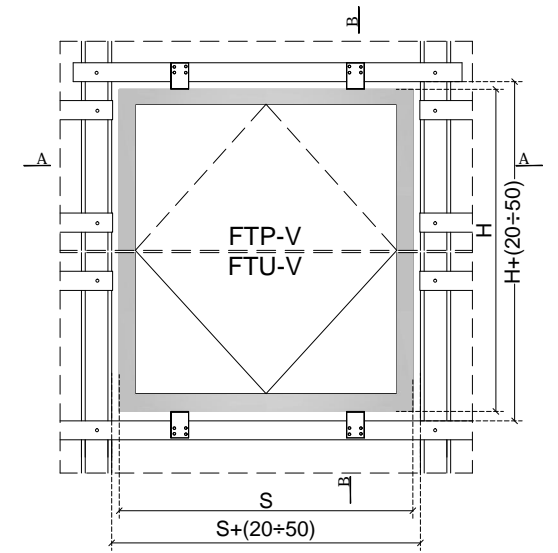
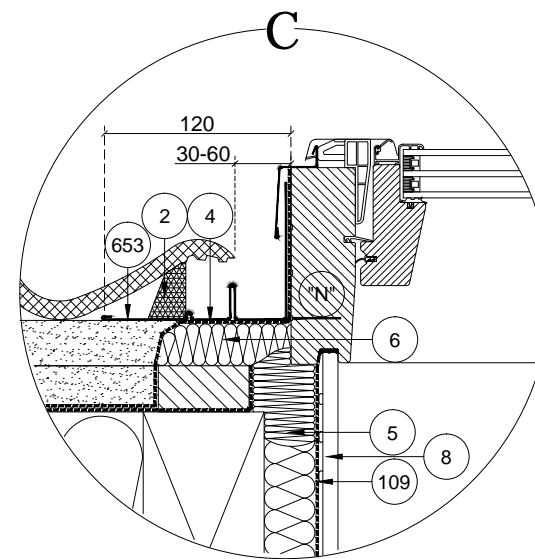
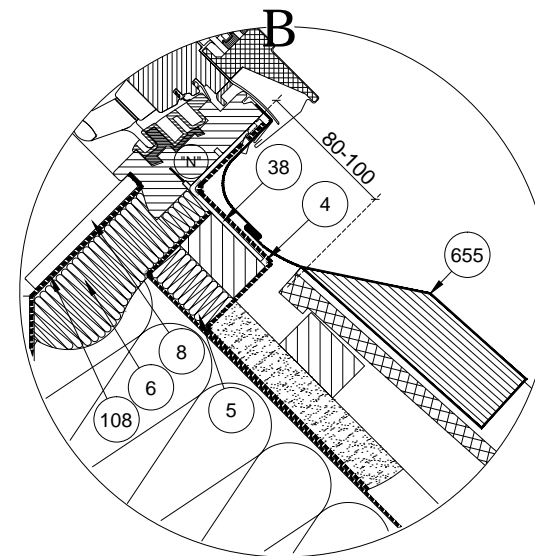
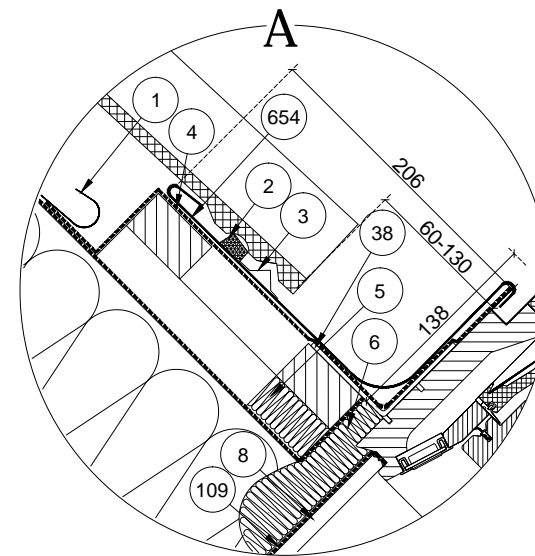
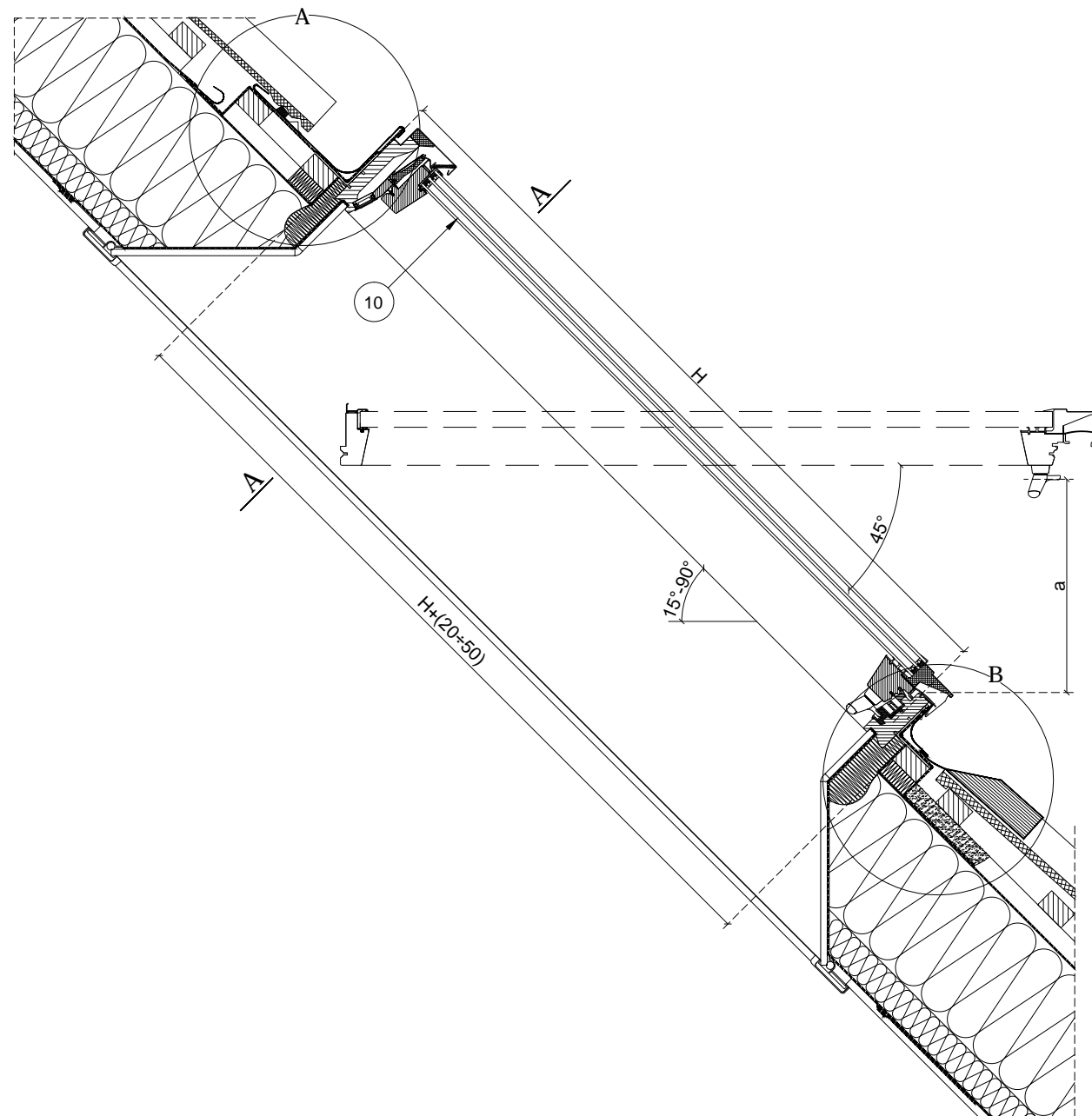
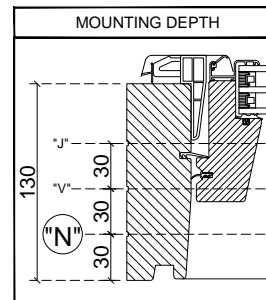


B - B



- 1-Water draining gutter FAKRO
- 2-Polyurethane insulating wedge
- 3-Tile supporting profile
- 4-XDP FAKRO vapour permeable collar
- 5-Tress made of sheep wool FAKRO (XDP)
- 6-Blocks made of sheep wool FAKRO (XDP)
- 8-XLW internal lining element FAKRO
- 10-FTP-V U5, FTU-V U5 pivot window FAKRO
- 17-Rafter
- 38-Installation bracket FAKRO
- 109-XDS air-tight flashing FAKRO
- 653-EHN FAKRO flashing side element
- 654-EHN FAKRO flashing upper element
- 655-EHN FAKRO flashing lower element



FTP-V,FTP/D							
Frame width S[mm]	Frame height H[mm]	a [cm]	U3 (U2,U3A,2B)	P2 (P1,L3,P4,F1,G2)	U5/P5 (R1,L4,L5,G6)	R4	Window symbol
457	601	20.7	+	+	+	+	
	781	20.7	+	+	+	+	46
	981	27.8	+	+	+	+	48
	1181	34.9	+	+	+	+	
	1401	42.7	+	+	+	+	
477	601	20.7	+	+	+	+	
	781	20.7	+	+	+	+	47
	981	27.8	+	+	+	+	49
	1181	34.9	+	+	+	+	
	1401	42.7	+	+	+	+	
547	601	20.7	+	+	+	+	
	781	20.7	+	+	+	+	01
	981	27.8	+	+	+	+	02
	1181	34.9	+	+	+	+	16
	1401	42.7	+	+	+	+	
657	601	20.7	+	+	+	+	
	781	20.7	+	+	+	+	32
	981	27.8	+	+	+	+	22
	1181	34.9	+	+	+	+	03
	1401	42.7	+	+	+	+	04
777	601	20.7	+	+	+	+	14
	781	20.7	+	+	+	+	
	981	27.8	+	+	+	+	33
	1181	34.9	+	+	+	+	05
	1401	42.7	+	+	+	+	23
937	601	20.7	+	+	+	+	06
	781	20.7	+	+	+	+	07
	981	27.8	+	+	+	+	13
	1181	34.9	+	+	+	+	34
	1401	42.7	+	+	+	+	24
1137	601	20.7	+	+	+	+	15
	781	20.7	+	+	+	+	08
	981	27.8	+	+	+	+	09
	1181	34.9	+	+	+	+	80
	1401	42.7	+	+	+	+	35
1337	601	20.7	+	+	+	+	25
	781	20.7	+	+	+	+	30°-90°
	981	27.8	+	+	+	+	45°-90°
	1181	34.9	+	+	+	+	30°-90°
	1401	42.7	+	+	+	+	20

 15° - 90°	 15° - 90°	 TILE	 XLC
Vertical and horizontal cross-section: FTP-V U5, FTU-V U5 roof window with EHN flashing for high-profiled roofing materials		FORMAT: A3	SCALE: 1:10/1:5
		DATE: 09.2020	

Warning! The present drawing is for informational-demonstrative purposes only and as such cannot constitute a basis for performance. All dimensions presented in this drawing should be verified on site. Because of the fact that the drawing is a schematic one, FAKRO shall not assume any responsibility for the actual installation quality on the roof. This drawing is FAKRO's property and cannot be published or used publicly without our written consent.