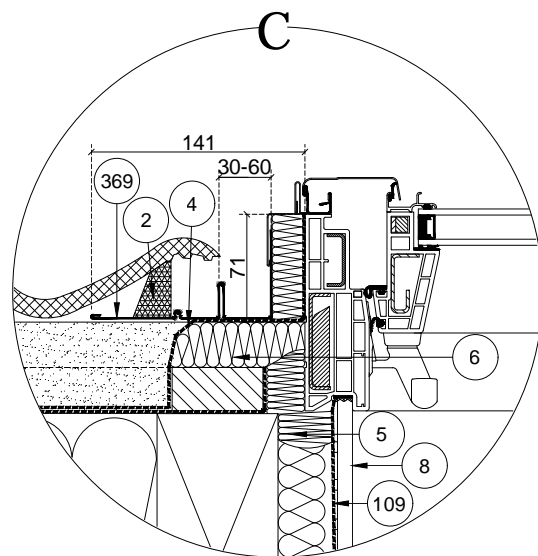
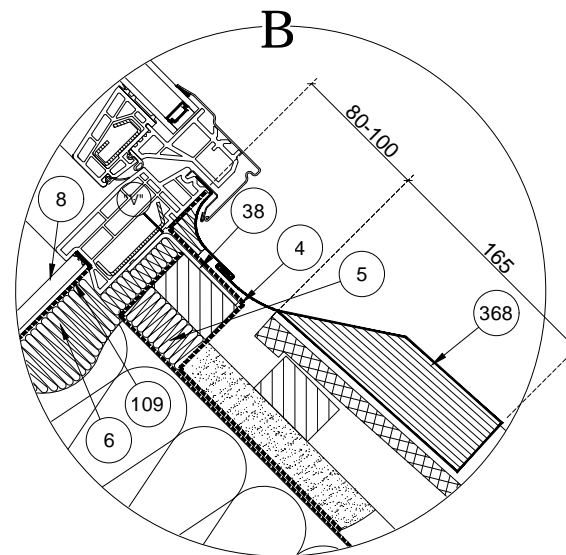
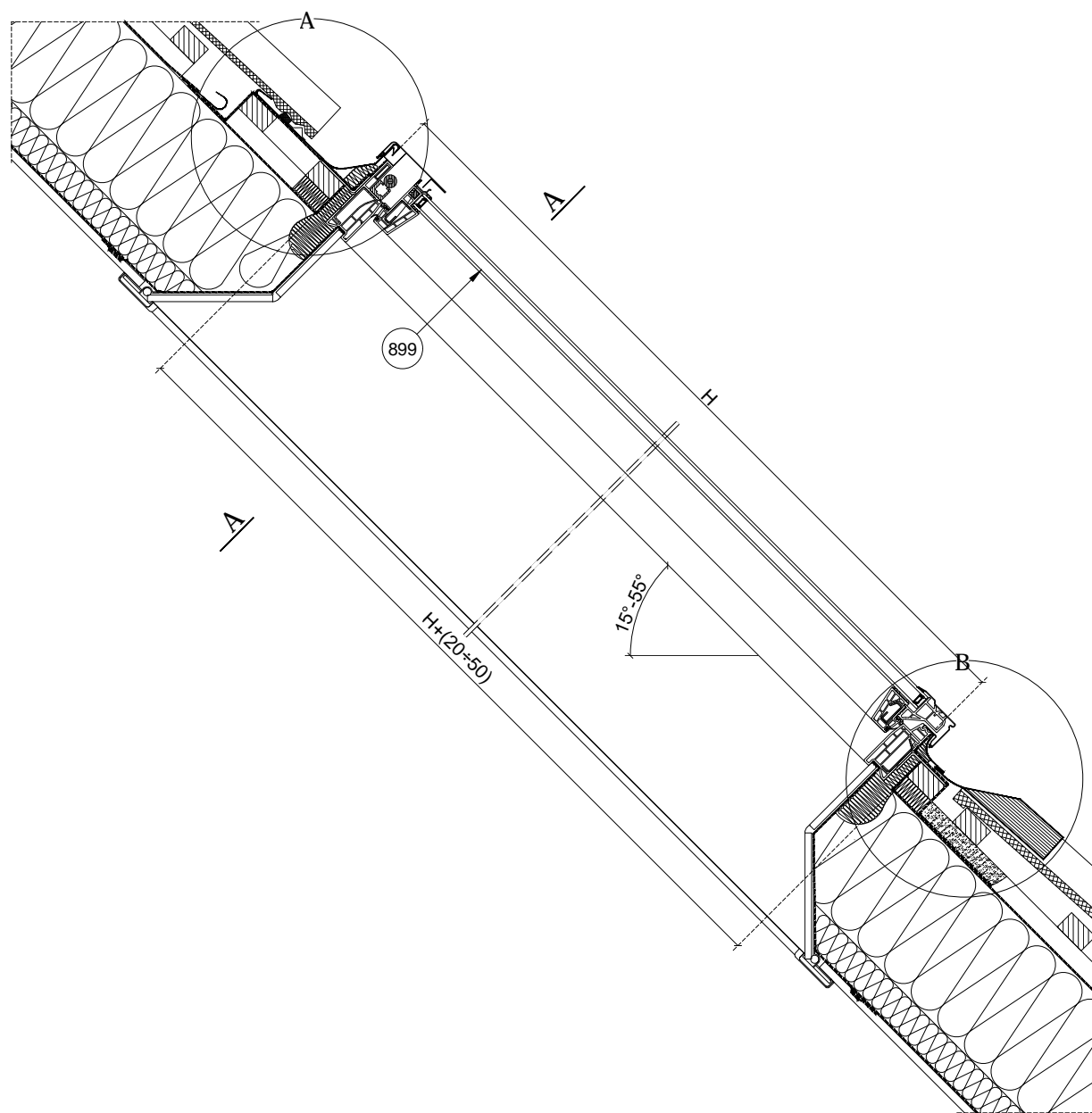
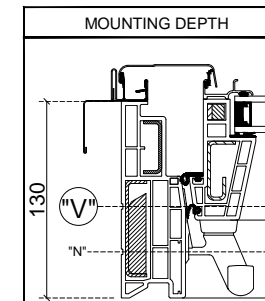


B - B

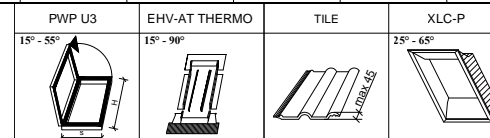


- 1-Water draining gutter FAKRO
- 2-Polyurethane insulating wedge
- 3-Tile supporting profile
- 4-XDP FAKRO vapour permeable collar
- 5-Tress made of sheep wool FAKRO (XDP)
- 6-Blocks made of sheep wool FAKRO (XDP)
- 8-XLC-P internal lining element FAKRO
- 17-Rafter
- 38-Installation bracket FAKRO
- 109-XDS-P air-tight flashing FAKRO
- 367-EHV-AT THERMO FAKRO flashing upper element
- 368-EHV-AT THERMO FAKRO flashing lower element
- 369-EHV-AT THERMO FAKRO flashing side element
- 899-PWP U3 access roof light FAKRO



PWP						
Frame width S(mm)	Frame height H(mm)	U3(U2,U4,Z6)	P2(P1,L3,P4,F1,G2)	U5(P4,G6)	P5(L5)	Window symbol
547	770	+	+	+	+	01
	970	+	+	+	+	02
	1170	+	+	+	+	16
857	1390	+	+	+	+	
	770	+	+	+	+	22
	970	+	+	+	+	03
777	1170	+	+	+	+	04
	1390	+	+	+	+	14
	770	+	+	+	+	23
937	970	+	+	+	+	05
	1170	+	+	+	+	06
	1390	+	+	+	+	7
	770	+	+	+	+	24
	970	+	+	+	+	15
	1170	+	+	+	+	08
	1390					9

FAKRO



Vertical and horizontal cross-section:
PWP U3 access roof light FAKRO with EHV-AT THERMO flashing for profiled roofing materials FAKRO.

FORMAT:
A3

SCALE:
1:10/1:5

DATE:
08.2020

Warning! The present drawing is for informational-demonstrative purposes only and as such cannot constitute a basis for performance. All dimensions presented in this drawing should be verified on site. Because of the fact that the drawing is a schematic one, FAKRO shall not assume any responsibility for the actual installation quality on the roof.