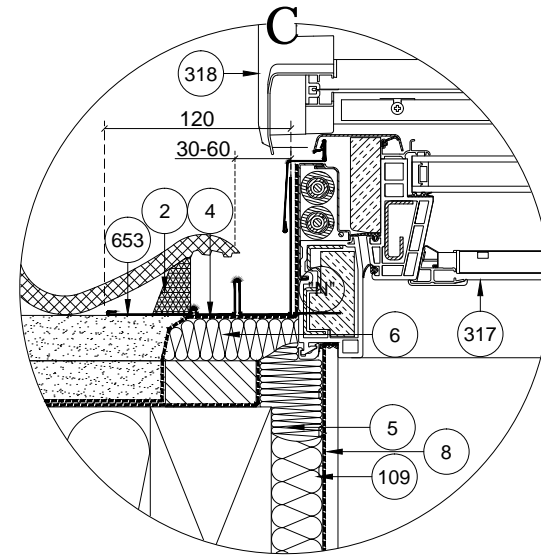
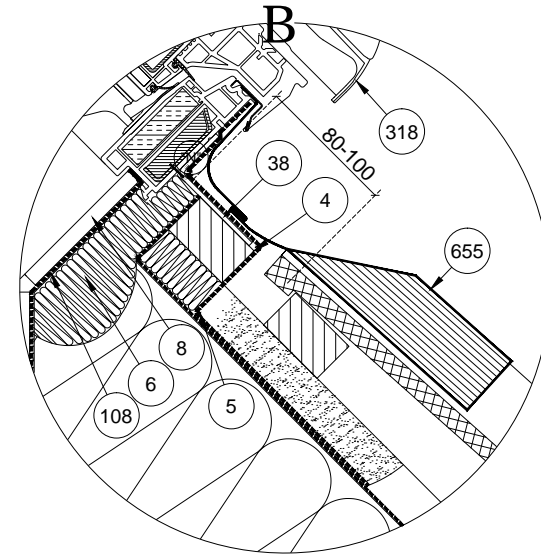
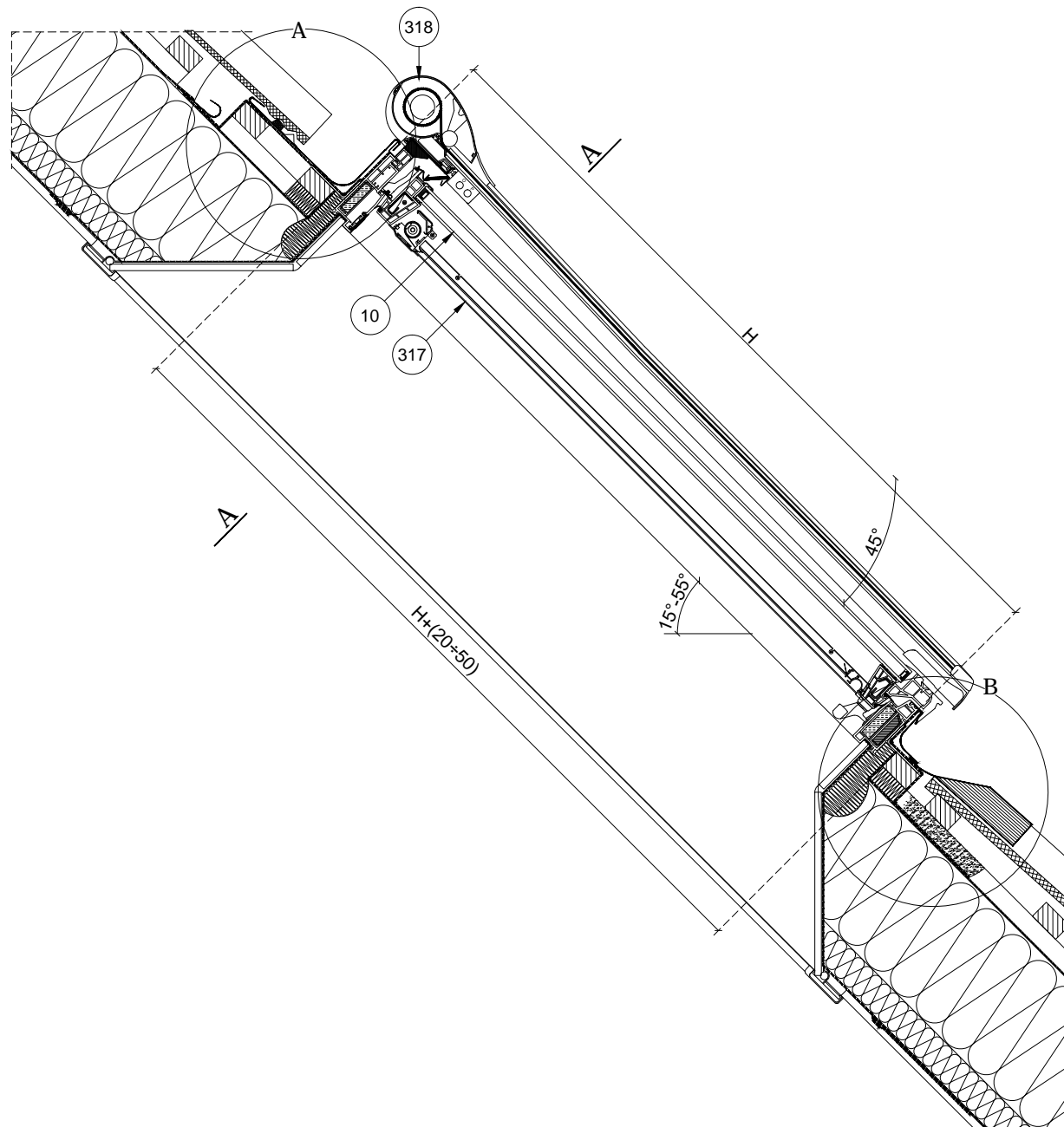
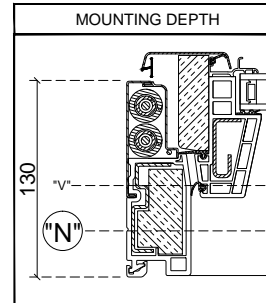


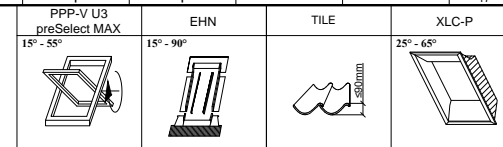
B - B



- 1-Water draining gutter FAKRO
- 2-Polyurethane insulating wedge
- 3-Tile supporting profile
- 4-XDP FAKRO vapour permeable collar
- 5-Tress made of sheep wool FAKRO (XDP)
- 6-Blocks made of sheep wool FAKRO (XDP)
- 8-XLC internal lining element FAKRO
- 10-PPP-V U3 pivot window FAKRO
- 17-Rafter
- 38-Installation bracket FAKRO
- 109-XDS air-tight flashing FAKRO
- 317-ARF roller blind FAKRO
- 318-AMZ roller shutter FAKRO
- 653-EHN FAKRO flashing side element
- 654-EHN FAKRO flashing upper element
- 655-EHN FAKRO flashing lower element



PPP, PPP-V preSelect MAX						
Frame width S[mm]	Frame height H[mm]	U3	P2	U5	P5	Window symbol
457	970	+	+	+	+	48
	1170	+	+	+	+	
	1390	+	+	+	+	
	1590	+	+	+	+	
477	970	+	+	+	+	49
	1170	+	+	+	+	
	1390	+	+	+	+	
	1590	+	+	+	+	
547	970	+	+	+	+	02
	1170	+	+	+	+	16
	1390	+	+	+	+	AM
	1590	+	+	+	+	AN
657	970	+	+	+	+	03
	1170	+	+	+	+	04
	1390	+	+	+	+	14
	1590	+	+	+	+	BN
777	970	+	+	+	+	05
	1170	+	+	+	+	06
	1390	+	+	+	+	07
	1590	+	+	+	+	13
937	970	+	+	+	+	15
	1170	+	+	+	+	08
	1390	+	+	+	+	09
	1590	+	+	+	+	20
1137	970	+	+	+	+	10
	1170	+	+	+	+	11
	1390	+	+	+	+	12
	1590	+	+	+	+	18
1337	1170	+	+	+	+	17
	1390	+	+	+	+	



Warning! The present drawing is for informational-demonstrative purposes only and as such cannot constitute a basis for performance. All dimensions presented in this drawing should be verified on site. Because of the fact that the drawing is a schematic one, FAKRO shall not assume any responsibility for the actual installation quality on the roof. This drawing is FAKRO's property and cannot be published or used publicly without our written consent.

Vertical and horizontal cross-section:
 PPP-V U3 roof window with EHN flashing
 AMZ roller shutter, ARF roller blind.

FORMAT: A3
 SCALE: 1:10/1:5
 DATE: 11.2020