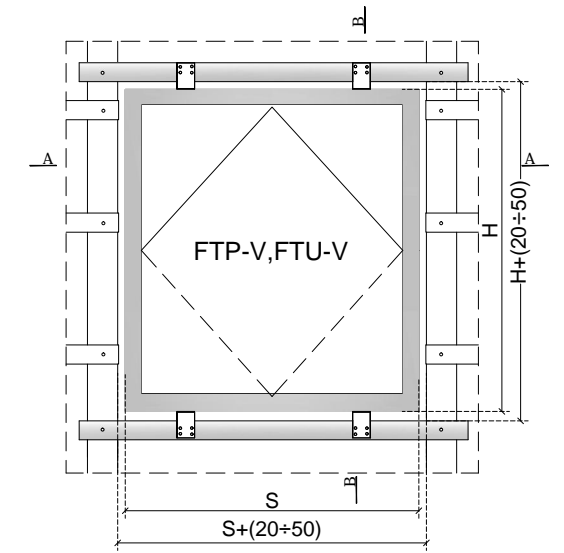
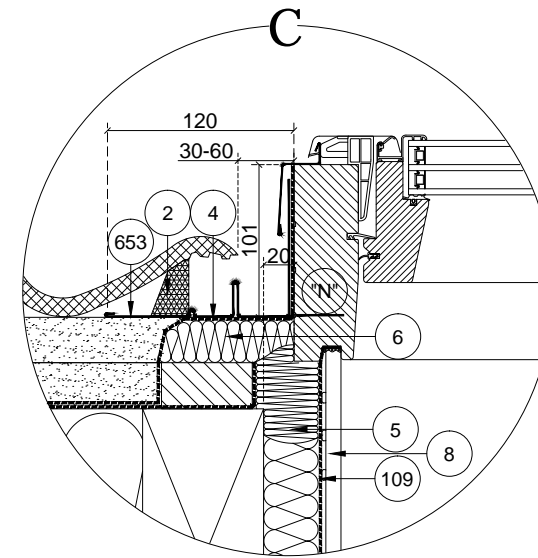
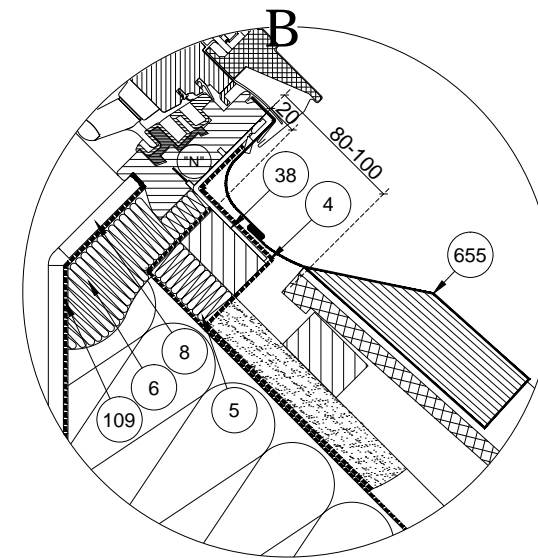
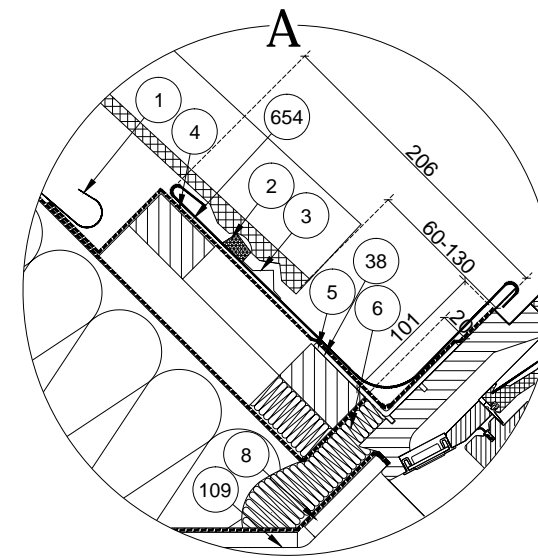
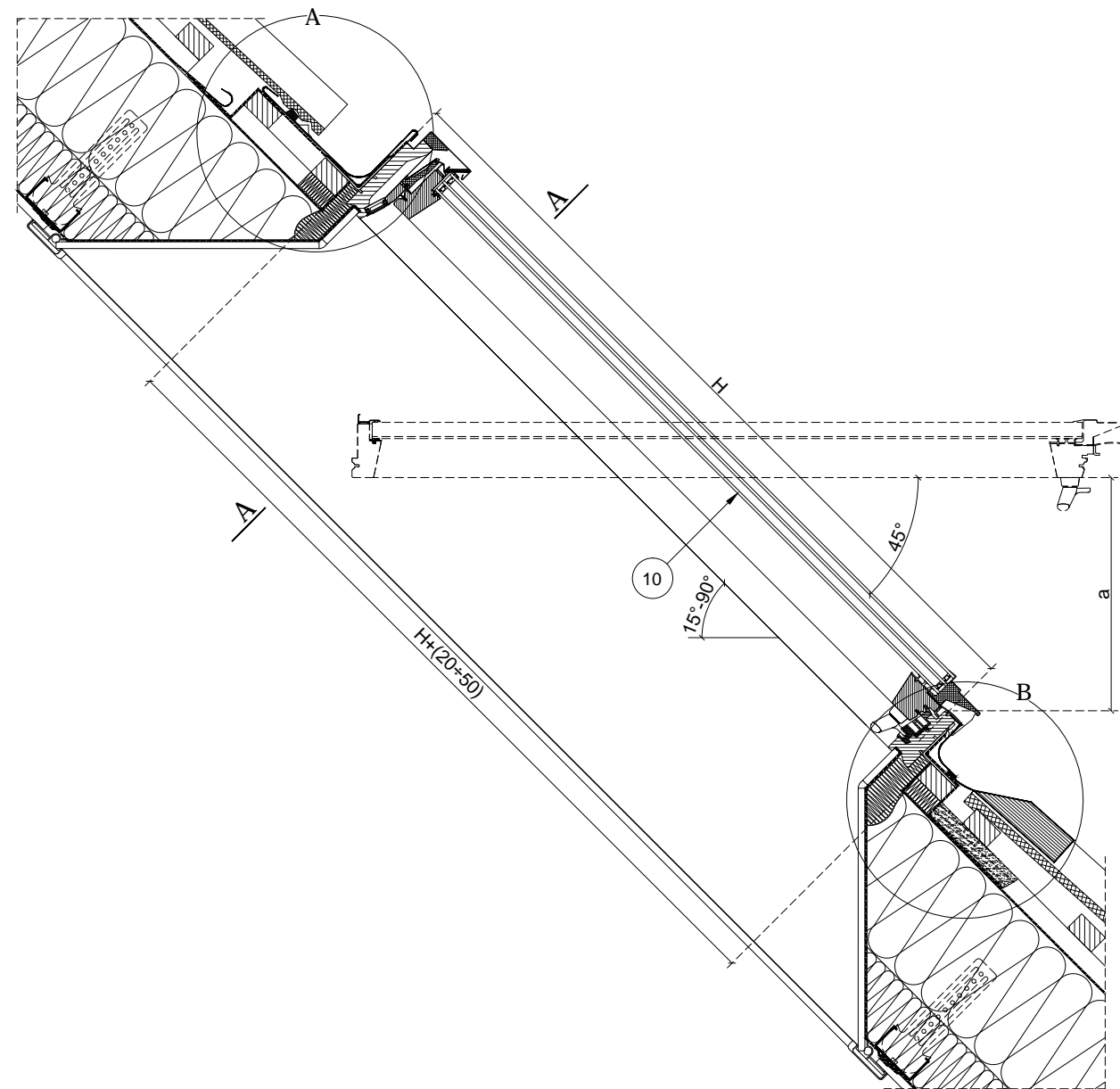


B - B



Symbols of FTP-V U4 FAKRO:

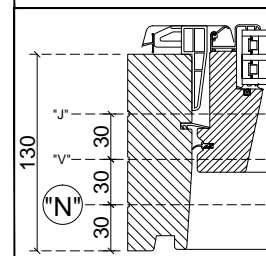
No.	(SxH)	(-a)
01	55x78 (547x781)	20,7
02	55x98 (547x981)	27,8
03	66x98 (657x981)	27,8
04	66x118 (657x1181)	34,9
05	78x98 (777x981)	27,8
06	78x118 (777x1181)	34,9
07	78x140 (777x1401)	42,7
08	94x118 (937x1181)	34,9
09	94x140 (937x1401)	42,7
10	114x118 (1137x1181)	34,9
11	114x140 (1137x1401)	42,7
12	134x98 (1337x981)	27,8
13	78x160 (777x1601)	49,8
14	66x140 (657x1401)	42,7
15	94x98 (937x981)	27,8
16	55x118 (547x1181)	34,9
17	134x140 (1337x1401)	42,7
18	134x118 (1337x1181)	34,9
20	114x98 (1137x981)	27,8
22	66x78 (657x781)	20,7
23	78x78 (777x781)	20,7
24	94x78 (937x781)	20,7
25	114x78 (1137x781)	20,7
26	134x78 (1337x781)	20,7
32	66x60 (657x601)	20,7
33	78x60 (777x601)	20,7
34	94x60 (937x601)	20,7
35	114x60 (1137x601)	20,7
36	134x60 (1337x601)	20,7
46	46x78 (457x781)	20,7
47	48x78 (477x781)	20,7
48	46x98 (457x981)	27,8
49	48x98 (477x981)	27,8
80	94x160 (937x1601)	49,8

Note: Table of standard windows Fakro is only available on website [www.fakro](http://www.fakro)

15° - 90°



MOUNTING DEPTH



- 1-Water draining gutter FAKRO
- 2-Polyurethane insulating wedge
- 3-Tile supporting profile
- 4-XDP FAKRO vapour permeable collar
- 5-Tress made of sheep wool FAKRO (XDP)
- 6-Blocks made of sheep wool FAKRO (XDP)
- 8-XLC internal lining element FAKRO
- 10-FTP-V U4, FTU-V U4 pivot window FAKRO
- 17-Rafter
- 38-Installation bracket FAKRO
- 109-XDS air-tight flashing FAKRO
- 653-EHN FAKRO flashing side element
- 654-EHN FAKRO flashing upper element
- 655-EHN FAKRO flashing lower element



Vertical and horizontal cross-section:  
FTP-V U4, FTU-V U4 roof window with EHN flashing for  
high-profiled roofing materials

FORMAT:  
A3

SCALE:  
1:10/1:5

DATE:  
10.2022