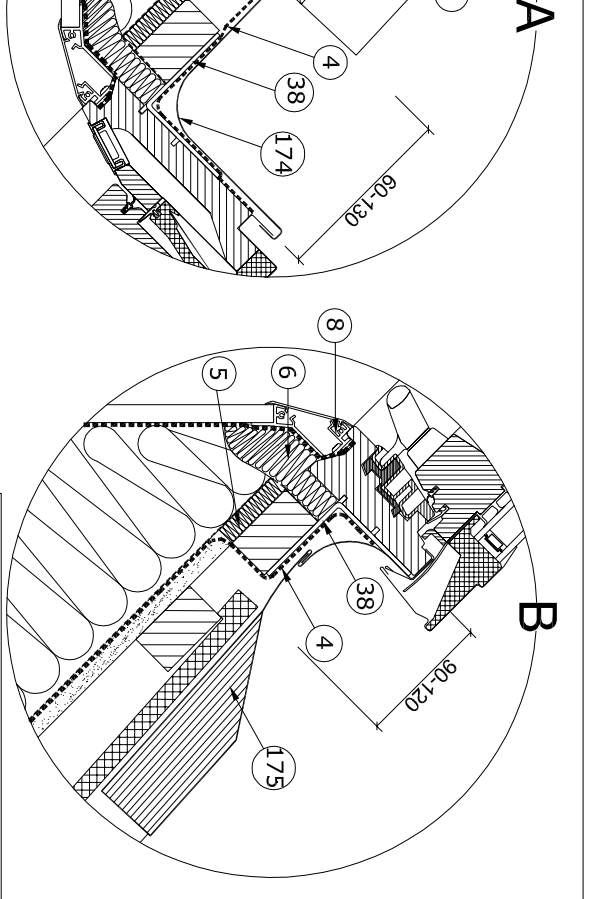


Warning! The present drawing is for informational-demonstrative purposes only and as such cannot constitute a basis for performance. All dimensions presented in this drawing should be verified on site. Because of the fact that the drawing is a schematic one, FAKRO shall not assume any responsibility for the actual installation quality on the roof. This drawing is FAKRO's property and cannot be published or used publicly without our written consent.



FTP-V U3, FTU-V U3

| Frame width [Stlmm] | Frame height [Hlmm] | Window symbol |
|------------------------|------------------------|------------------|
| 457 | 780 | 46 |
| | 980 | 48 |
| 477 | 780 | 47 |
| | 980 | 49 |
| 547 | 780 | 01 |
| | 980 | 02 |
| | 1180 | 16 |
| | 780 | 22 |
| | 980 | 03 |
| 657 | 1180 | 04 |
| | 1400 | 14 |
| | 780 | 23 |
| | 980 | 05 |
| | 1180 | 06 |
| 777 | 1400 | 07 |
| | 1600 | 13 |
| | 780 | 24 |
| | 980 | 15 |
| 937 | 1180 | 08 |
| | 1400 | 09 |
| | 1600 | 20 |
| | 780 | 25 |
| 1137 | 1180 | 20 |
| | 1400 | 11 |
| | 1600 | 11 |
| 1337 | 780 | 50 |
| | 980 | 26 |
| | 1180 | 12 |
| | 1400 | 18 |
| | 1400 | 17 |

- 1-Water draining gutter
- 2-Polyurethane insulating wedge
- 3-Tile supporting profile
- 4-XDP FAKRO vapour permeable collar
- 5-Tress made of sheep wool FAKRO (XDP)
- 6-Blocks made of sheep wool FAKRO (XDP)
- 8-XLW Internal lining horizontal element FAKRO
- 10-FTP-V U3, FTU-V U3 pivot window FAKRO
- 17-Rafter
- 36-Installation bracket
- 109-XDS side flashing
- 173-EHN flashing slide element FAKRO
- 174-EHN flashing upper element FAKRO
- 175-EHN flashing lower element FAKRO

FAKRO

Vertical and horizontal cross-section:
FTP-V U3, FTU-V U3 roof window with EHN flashing for high-profiled roofing materials

FORMAT: A4

SCALE: 1:10/1:5

DATE: 06.2011

15° - 90°